

E50 F series

108mm~430mm

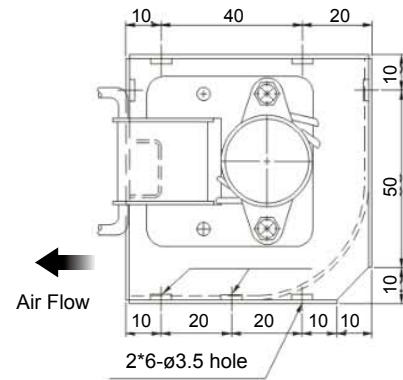
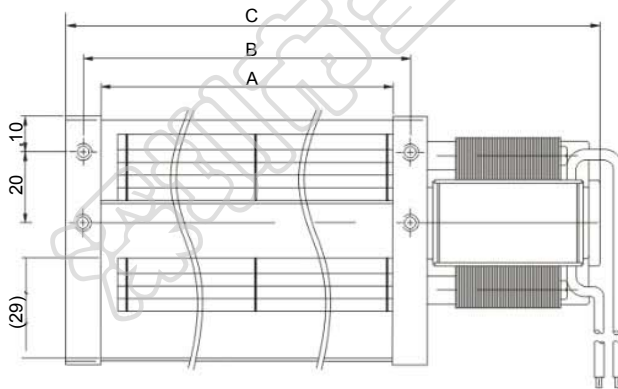
General Specifications

- Motor : Shaded pole AC motor
- Frame & Impeller : Metal
- Storage temperature : -40° to +75°
- Operating temperature : -10° to +65°



Major Characteristic Parameters

Model	Size(mm)			Rated Voltage	Rated Frequency	Rated Current	Input Power	Rated Speed	Maximum Air Flow		Maximum Static Pressure		Sound Level	Weight
Part NO.	A	B	C	V	Hz	A	W	RPM	m ³ /min	CFM	mm-Aq	In-H ₂ O	dBA	g
CE50090A11	98	108	162	110	60	0.12	10	2650	1.1	38.86	3.6	0.141	39	610
CE50090A22	98	108	162	220	50	0.07	12	2500	1.0	35.33	2.7	0.106	36	610
CE50190A11	198	208	267	110	60	0.21	16	1800	1.7	60.07	4.1	0.161	37	770
CE50190A22	198	208	267	220	50	0.09	14	2100	1.8	63.60	3.1	0.122	41	770
CE50290A11	298	308	377	110	60	0.32	24	2100	2.7	95.40	4.3	0.169	41	1100
CE50290A22	298	308	377	220	50	0.14	21	2250	2.8	98.93	3.1	0.122	44	1100
CE50350A11	358	368	437	110	60	0.33	23	2000	2.9	102.47	4.3	0.169	42	1200
CE50350A22	358	368	437	220	50	0.15	20	2200	3.1	109.54	3.5	0.137	40	1200
CE50420A11	420	430	495	110	60	0.28	24	1300	2.31	81.62	4.1	0.161	50	1350
CE50420A22	420	430	495	220	50	0.25	29	1800	3.23	114.13	3.8	0.149	51	1350



unit:mm

